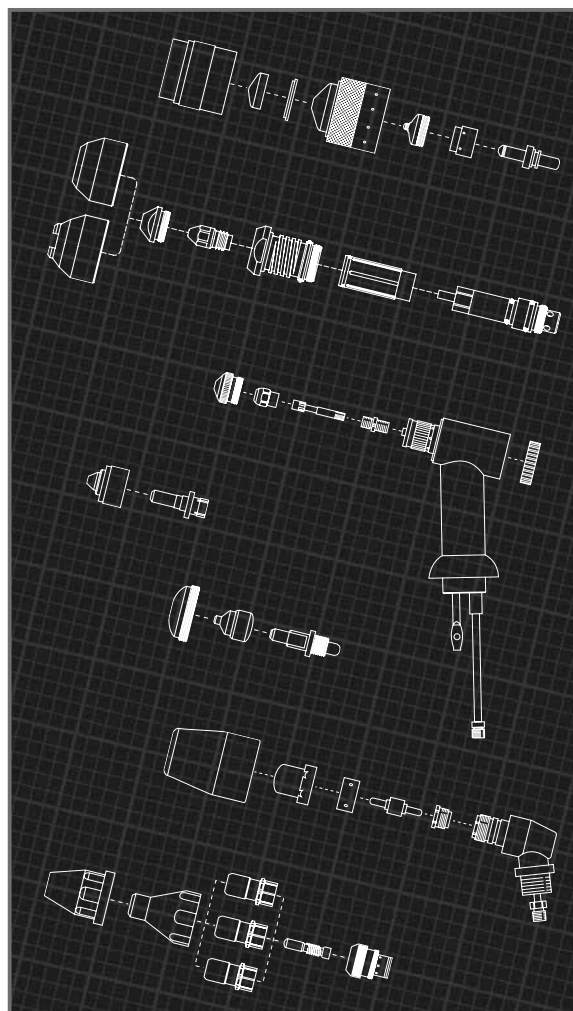


RADNOR®

Plasma Consumables



ESAB/L-TEC® • LINCOLN® • MILLER® • THERMAL DYNAMICS®

Radnor® MasterCut™ Consumables and OEM Cross Reference Guide

This catalog is intended as an internal tool for Airgas Associates to identify suitable Radnor product equivalents for plasma applications. Radnor consumables are identified in bold with the appropriate 6400XXXX Radnor number.

Alternatively, where a complete line of Radnor equivalents do not exist for a particular plasma torch, it is recommended to offer the customer the Radnor MasterCut adapter kit. When combined with the Radnor MasterCut torch and ATC adapter kit, you will be able to provide the customer the following advantages:

- 1 set of consumable parts for all systems
- Maximum arc visibility
- Drag or Standoff cutting at any power level
- Ergonomic torch handle for operator comfort and control
- Low cost of operation

Table of Contents

	<u>Page</u>
Radnor MasterCut Torch.....	3 - 5
ESAB®/ L-Tec®	6 - 8
Lincoln®	9
Miller®	10 - 13
Thermal Dynamics®	14 - 18

Radnor is in no way affiliated with ESAB / L-TEC, LINCOLN or MILLER.



RADNOR®
MASTERCUT™

PLASMA CUTTING TORCH

Ordering Information

Torch Selection Guide

NEW Torch

MC40 Light Duty Torch 10-40 Amps



FOR USE WITH
CUTMASTER 42

CAT NO.	DESCRIPTION
Torch	
MC40 Hand Torch w/ ATC (10-40 Amps)	
64006503	MC40, 75°, 15' (5m) Torch/Leads
ATC Adapter Kit	
ATC Receptacle Adapter	
64006539	ATC Receptacle Connector
* This receptacle adapter is required for each power supply . This is connected to the torch adapter kit specific to each power supply.	
ATC Lead Extensions	
Lead Extensions - Standard	
64006580	15' (4.5m) Lead Extension
64006581	25' (7.6m) Lead Extension
64006582	50' (15.2m) Lead Extension



Torches

MC60 Light/Medium Duty Torch 20-80 Amps



MC100 Medium/Heavy Duty Torch 30-120 Amps



CAT NO.	DESCRIPTION
Torch	
MC60 Hand Torch w/ ATC (20-80 Amps)	
64006500	MC60, 75°, 20' (6.1m) Torch/Leads
ATC Adapter Kit	
ATC Receptacle Adapter	
64006539	ATC Receptacle Connector
* This receptacle adapter is required for each power supply . This is connected to the torch adapter kit specific to each power supply.	
ATC Lead Extensions	
Lead Extensions - Standard	
64006580	15' (4.5m) Lead Extension
64006581	25' (7.6m) Lead Extension
64006582	50' (15.2m) Lead Extension



CAT NO.	DESCRIPTION
Torch	
MC100 Hand Torch w/ ATC (30-120 Amps)	
64006501	MC100, 75°, 20' (6.1m) Torch/Leads
MC100 Machine Torch w/ ATC (Fiberglass Tube w/Rack)	
64006502	MC100, 180°, 25' (7.6m) Torch/Leads
ATC Adapter Kit	
ATC Receptacle Adapter	
64006539	ATC Receptacle Connector
* This receptacle adapter is required for each power supply . This is connected to the torch adapter kit specific to each power supply.	
ATC Lead Extensions	
Lead Extensions - Standard	
64006580	15' (4.5m) Lead Extension
64006581	25' (7.6m) Lead Extension
64006582	50' (15.2m) Lead Extension



NOTES: *Total lead length including torch and extension(s), should not exceed the maximum length specified by the power supply manufacturer.

Torch Adapter Kit Selection Guide

Torch Adapter Kits

The model of the plasma cutting system must be known to determine the adapter kit required.

Manufacturer Power Supply Model	Catalog Number	Manufacturer Power Supply Model	Catalog Number
AIRCO®/BOC®		MARQUETTE®	
PCS-43	64006540	12/150, 12/200	64006559
PCS-53, PCS-80, PCS-90	64006547	MATCO®	
CEBORA®		2020*, 2050*	64006569
Pocket 25	64006559	MILLER®	
CENTURY®		Plazcut 60†/Zipcut	64006544
82020*, 82050*, M2050*	64006559	Spectrum® 250D, 500, 750	64006545
82100	64006543	Spectrum® 700, 1000, 1250, PLUS	64006543
DAIHEN®		Spectrum® 3080*	64006553
SC-60P	64006544	Spectrum® 650*, 701*, 2050*	64006554
DAYTON®		Spectrum® 300*	64006559
3W722A*, 5Z031B*	64006559	Spectrum® 375*	64006560
ESAB® (yellow)		Spectrum® 625*	64006562
PCM-SMi, 500i, 625i, PCS-43	64006540	POWCON®	
PCS-53, 80, 90	64006547	Starcut	64006543
ESP-100i	64006541	SNAP-ON®	
PCM-750i, 875, 1000i, 1125	64006542	YA-3230, YA-3440	64006543
Powercut® 650	64006557	YA-2230*, YA-5550*, YA-5550A*	64006559
Powercut® 875, 1125	64006558	SOLAR®	
Powercut® 1250, 1500	64006556	SOL 2020* (118-009, 118-010), SOL 2050* (118-015, 118-016)	64006559
Sidewinder 30, 55, 105	64006546	SOL 2105, SOL 2106	64006543
HOBART®		THERMAL DYNAMICS®	
Smoothcut 30, 625	64006540	PAK® 3XR, 5XT, 5XR, 6XR, 7XR, 625XR, 750XR	64006549
Smoothcut 50 (single gas), 100	64006541	PAK® 8XR, 10XR, 1000XR, 1250XR, PakMaster® 75, 100	64006546
Cybercut 2050*	64006554	PakMaster® 50XL/XLP, 75XL/XLP, 100XL/XLP CUTMASTER® 50, 75, 80XL, 100	64006550
HYPERTHERM®		PakMaster® 25, 38XL, EconoPAK® 25	64006548
Max® 40, HT® 40 (H/F Start)	64006543	Drag-Gun® 38, PAK® 4Xi, 6Xi PAK® 2XT, Dynapak® 110	
Max® 70, Max® 80, Max® 100 w/ & w/o Q.D.			
Max® 42*, 43*, 40cs*	64006551		
powermax® 600*, 800*, 900* w/ Q.D.			
powermax® 1100*	64006552		
powermax® 1000*, 1250*	64006555		
Max® 40cs* (w/o Q.D.)	64006559		
powermax® 380*	64006560		
L TEC® (green)			
PCM-31, SMi, 32i/34i, VPi	64006540		
PCM-500i, 625i, PCS-80i			
PCM-50A, 70, 80, 52i/54i, 82i/84i	64006541		
ESP-100i, PCM-50, PCM-100 (Single Gas)			
PCM-50, PCM-100 (Dual Gas)			
PCS-40	64006543		
PCM-750i, 1000i	64006547		

* Non-HF Systems.

† The Miller PlazCut machines with Serial Numbers beginning JE are not compatible with Radnor MasterCut Torches.

NOTES: Each Adapter Kit includes connection fitting, electrical connectors and installation instruction sheets for the selected power supply.

AIRCO/BOC are registered trademarks of The BOC Group plc; CEBORA is a registered trademark of Cebora S.p.A.; DAIHEN is a registered trademark of Daihen Inc.; ESAB, L-TEC and Power-Cut are registered trademarks of ESAB AB; HOBART is a registered trademark of Hobart Brothers Co.; HYPERTHERM, Max and powermax are registered trademarks of Hypertherm, Inc.; MILLER and Spectrum are registered trademarks of Miller Electric Mfg. Co.; PANASONIC is a registered trademark of Matsushita Electric Industrial Co., Ltd.; INNERLOGIC is a trademark of Innerlogic; none of the above mentioned registered trademarks are in any way affiliated with Radnor, Thermal Dynamics or Thermadyne Industries, Inc.; THERMAL DYNAMICS, PAK, CUTMASTER, PakMaster, Dynapak and Drag-Gun are registered trademarks of Thermal Dynamics Corp.

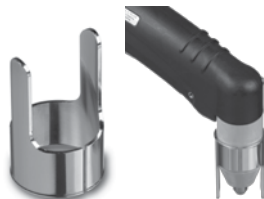
Accessories

TORCH CUTTING GUIDES / GUIDE KITS

Universal Standoff Cutting Guide

Cat. No. 64006528

A great new standoff guide specifically designed to fit all shield cup designs for the MC60® and MC100® RPT® torches. Adjustable standoff height.



MISCELLANEOUS TORCH ACCESSORIES

ATC® Lead Extensions

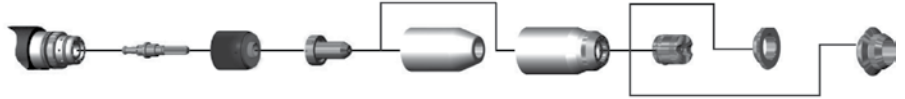
15 ft. (4.6m) 64006580
25 ft. (7.6m) 64006581
50 ft. (15.2m) 64006582

Available for any system using Radnor Mastercut with ATC Quick Disconnect. Leads Extensions enable you to customize your lead length to suit the cutting job.



Consumables Selection Guide

Ordering Information



Current Range	Mode of Operation	Amps	Electrode	Start Cartridge	Tip	Shield Cup	Shield Cup Body	Drag Shield Cup	Deflector	Gouging Shield Cup
20-40 Amps	Drag Tip/Cutting	30A	64006514	64006513	64006506	64006515				
		40A			64006507	64006515				
		30A			64006506		64006523		64006525	
	40A	64006507				64006523		64006525		
	Standoff Cutting	40A			64006508	64006515				64006524
		40A			64006508		64006523		64006525	
Gouging	Tip A	64006516		64006523						
50-60 Amps	Drag Tip/Cutting	60A	64006514	64006513	64006526	64006515				
		50-55A			64006509	64006515				
	Standoff Cutting	60A			64006510	64006515				
		50-55A			64006509		64006523		64006525	
		60A			64006510		64006523		64006525	
	Drag Shield Cutting	50-55A			64006509		64006523	64006521		
		60A			64006510		64006523	64006521		
	Gouging	Tip B			64006517		64006523			64006524
Tip C		64006518		64006523			64006524			
Tip D		64006519		64006523			64006524			
70-100 Amps	Standoff Cutting	70A	64006514	64006513	64006520	64006515				
		80A			64006511	64006515				
		90A-100A			64006512	64006515				
		70A			64006520		64006523		64006525	
	Drag Shield Cutting	80A	64006511			64006523		64006525		
		90A-100A	64006512			64006523		64006525		
		70A	64006520			64006523	64006522			
	Gouging	80A	64006511			64006523	64006522			
		90A-100A	64006512			64006523	64006522			
		Tip B	64006517			64006523			64006524	
120 Amps	Standoff Cutting	120A	64006514	64006513	64006527		64006523		64006525	64006524
		20A			64006527		64006523		64006525	64006524
	Gouging	Tip E			64006530		64006523		64006525	64006524
NEW MC40 Consumables (for use with NEW CUTMASTER 42)										
10-40 Amps	Drag Cutting Tip	40A	64006536	64006537	64006533	64006538				
	Standoff Cutting	20A			64006534					
		40A			64006533					

Gouging Profiles				
	Output Range	Depth	Width	Profile
Tip A	40 Amps (MAX)	Shallow	Narrow	
Tip B	50-100 Amps	Deep	Narrow	
Tip C	60-120 Amps	Moderate	Moderate	
Tip D	60-120 Amps	Shallow	Wide	

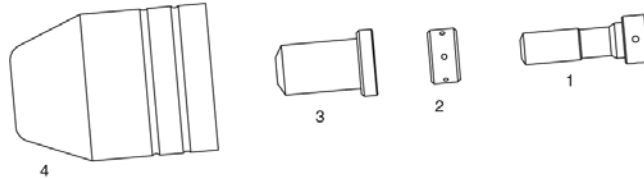


Replacement Parts suitable for:

ESAB® / L-TEC®

PT-23/27®

Parts



Item	Catalog Number	Radnor Number	Description	Std. Qty.
1	33366	64006635	ELECTRODE	5
N/S	33366XL	64006633	ELECTRODE, XL	5
2	33367	64006634	SWIRL BAFFLE	5
3	33369	64006636	TIP 50A .046	5
3	33418	64006637	TIP 80A .052	5
4	21616	64006632	SHIELD CUP (PT27 ONLY)	1

MASTERCUT™

PLASMA CUTTING TORCH

- 1 SET OF CONSUMABLE PARTS FOR ALL SYSTEMS (Except for tip)
- MAXIMUM ARC VISIBILITY
- DRAG OR STANDOFF CUTTING AT ANY POWER LEVEL
- ERGONOMIC TORCH HANDLE FOR OPERATOR COMFORT AND CONTROL
- LOW COST OF OPERATION

Convert to a Radnor® Mastercut™ torch.

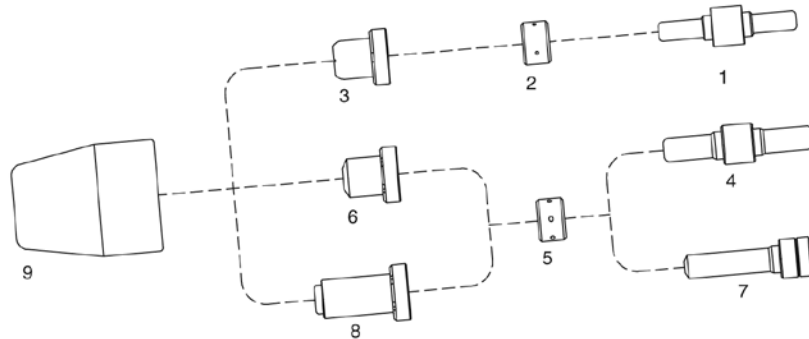
Torch 64006500 MC60 64006501 MC100	+	ATC Receptacle Adapter Kit 64006539	+	Adapter Kit PCM-750i, 875, 1000i, 1125 64006542 PCS-53, 80, 90 64006547
-------------------------------------------------	---	---------------------------------------------------------	---	--------------------------------------------------------------------------------------------------------------

Radnor is in no way affiliated with ESAB® / L-TEC®. The parts advertised for sale are not genuine ESAB / L-TEC parts, but are parts made for Radnor. Reference to ESAB / L-TEC machine, torches and numbers are for your convenience only. We reserve the right to substitute genuine ESAB / L-TEC parts in place of Radnor parts.

Replacement Parts suitable for:

ESAB® / L-TEC®

PT-31® / PT-31XL® Parts



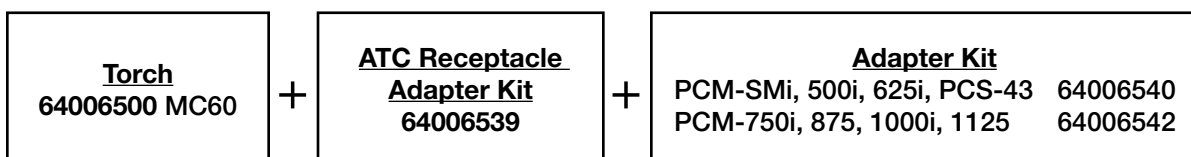
Item	Catalog Number	Radnor Number	Description	Std. Qty.
1	18205		ELECTRODE	5
2	18785		SWIRL BAFFLE	1
3	18866		TIP 30A .039	5
4	19683		ELECTRODE, XL	5
5	20463		SWIRL BAFFLE XL	1
6	19682		TIP, XL, 30A .038	5
	20079		TIP, XL, 50A .053	5
7	20862	64006640	EXTENDED ELECTRODE, XL	5
8	20860		EXTENDED TIP, XL, 30A .038	5
	21008	64006642	EXTENDED TIP, XL, 40A .042	5
	20861	64006641	EXTENDED TIP, XL, 50A .046	5
9	20282		SHIELD H.D.	1

MASTERCUT™

PLASMA CUTTING TORCH

- 1 SET OF CONSUMABLE PARTS FOR ALL SYSTEMS (Except for tip)
- MAXIMUM ARC VISIBILITY
- DRAG OR STANDOFF CUTTING AT ANY POWER LEVEL
- ERGONOMIC TORCH HANDLE FOR OPERATOR COMFORT AND CONTROL
- LOW COST OF OPERATION

Convert to a Radnor® Mastercut™ torch.



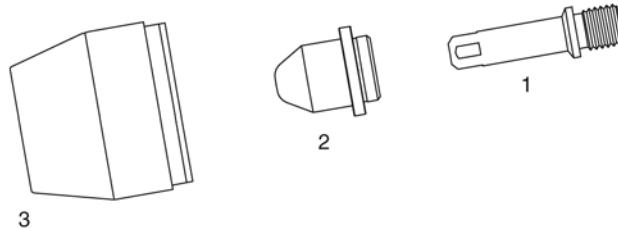
Radnor is in no way affiliated with ESAB® / L-TEC®. The parts advertised for sale are not genuine ESAB / L-TEC parts, but are parts made for Radnor. Reference to ESAB / L-TEC machine, torches and numbers are for your convenience only. We reserve the right to substitute genuine ESAB / L-TEC parts in place of Radnor parts.

Replacement Parts suitable for:

ESAB® / L-TEC®

PT-32®

Parts



Item	Catalog Number	Radnor Number	Description	Std. Qty.
1	0558001969		ELECTRODE	5
2	0558002618	64006650	NOZZLE, 50-70A	5
2	0558002837	64006651	NOZZLE, 90A	5
2	0558002908		NOZZLE, 40A DRAG	5
3	0558001957		SHIELD	1

MASTERCUT™

PLASMA CUTTING TORCH

- 1 SET OF CONSUMABLE PARTS FOR ALL SYSTEMS (Except for tip)
- MAXIMUM ARC VISIBILITY
- DRAG OR STANDOFF CUTTING AT ANY POWER LEVEL
- ERGONOMIC TORCH HANDLE FOR OPERATOR COMFORT AND CONTROL
- LOW COST OF OPERATION

Convert to a Radnor® Mastercut™ torch.

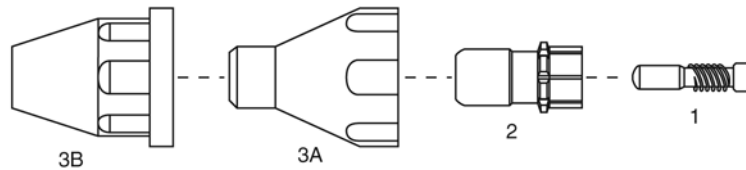
Torch 64006500 MC60 64006501 MC100	+	ATC Receptacle Adapter Kit 64006539	+	Adapter Kit Powercut® 875, 1125 64006558 Powercut® 1250, 1500 64006556
-------------------------------------------------	---	---------------------------------------------------------	---	-----------------------------------------------------------------------------------------------

Radnor is in no way affiliated with ESAB® / L-TEC®. The parts advertised for sale are not genuine ESAB / L-TEC parts, but are parts made for Radnor. Reference to ESAB / L-TEC machine, torches and numbers are for your convenience only. We reserve the right to substitute genuine ESAB / L-TEC parts in place of Radnor parts.

Replacement Parts suitable for:

LINCOLN®

PCT 20®/PCT 80® Procut® 25, 55, 80



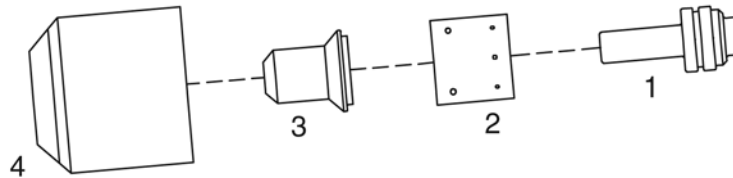
Item	Catalog Number	Radnor Number	Description	Std. Qty.
1	S22149	64006750	ELECTRODE (KP2063-1B1)	10
2	S22147043D		NOZZLE (PROCUT 55)	5
	S22147068D		NOZZLE (PROCUT 55)	5
3A	S22151		DRAG CUP (KP2065-1)	5
3B	S22150		SHIELD CUP (KP2064-1)	5

Radnor® is in no way affiliated with LINCOLN®. The parts advertised for sale are not genuine LINCOLN parts, but are parts made for Radnor. Reference to LINCOLN machine, torches and numbers are for your convenience only. We reserve the right to substitute genuine LINCOLN parts in place of Radnor parts.

Replacement Parts suitable for:

MILLER®

ICE 25C®/ICE 27C® Parts



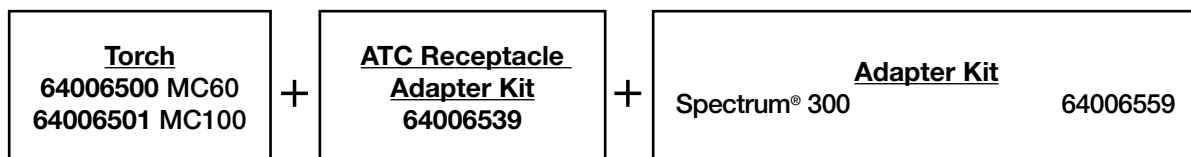
Item	Catalog Number	Radnor Number	Description	Std. Qty.
1	176655	64006765	ELECTRODE	5
2	176657		SWIRL RING (ICE 25C ONLY)	1
3	176656	64006766	TIP .030	5
4	176658		RETAINING CAP (ICE 25C ONLY)	1

MASTERCUT™

PLASMA CUTTING TORCH

- 1 SET OF CONSUMABLE PARTS FOR ALL SYSTEMS (Except for tip)
- MAXIMUM ARC VISIBILITY
- DRAG OR STANDOFF CUTTING AT ANY POWER LEVEL
- ERGONOMIC TORCH HANDLE FOR OPERATOR COMFORT AND CONTROL
- LOW COST OF OPERATION

Convert to a Radnor® Mastercut™ torch.



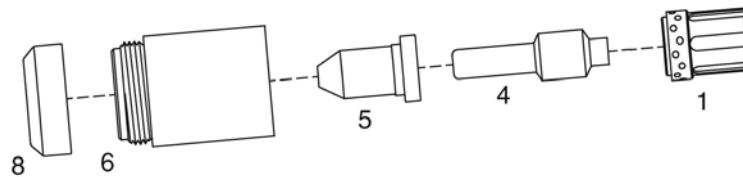
Radnor is in no way affiliated with MILLER®. The parts advertised for sale are not genuine MILLER parts, but are parts made for Radnor. Reference to MILLER machine, torches and numbers are for your convenience only. We reserve the right to substitute genuine MILLER parts in place of Radnor parts.

Replacement Parts suitable for:

MILLER®

ICE 40C®

Parts



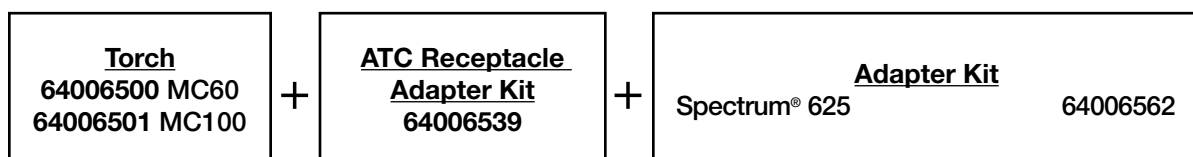
Item	Catalog Number	Radnor Number	Description	Std. Qty.
1	192049	64006773	SWIRL RING	1
2 (not shown)	192047	64006774	ELECTRODE (REPLACES 177875)	5
3 (not shown)	204325	64006778	TIP, STANDARD, 40A	5
4	192048	64006777	EXTENDED ELECTRODE (REPLACES 180340)	5
5	192052	64006771	EXTENDED TIP 35A	5
6	192050	64006776	RETAINING CAP	1
8	177888	64006775	DEFLECTOR	1

MASTERCUT™

PLASMA CUTTING TORCH

- 1 SET OF CONSUMABLE PARTS FOR ALL SYSTEMS (Except for tip)
- MAXIMUM ARC VISIBILITY
- DRAG OR STANDOFF CUTTING AT ANY POWER LEVEL
- ERGONOMIC TORCH HANDLE FOR OPERATOR COMFORT AND CONTROL
- LOW COST OF OPERATION

Convert to a Radnor® Mastercut™ torch.



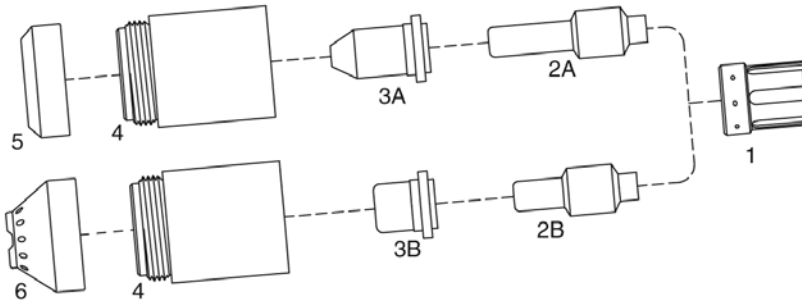
Radnor is in no way affiliated with MILLER®. The parts advertised for sale are not genuine MILLER parts, but are parts made for Radnor. Reference to MILLER machine, torches and numbers are for your convenience only. We reserve the right to substitute genuine MILLER parts in place of Radnor parts.

Replacement Parts suitable for:

MILLER®

ICE 50C®

Parts



Item	Catalog Number	Radnor Number	Description	Std. Qty.
1	177886		SWIRL RING	1
2A	192048		EXTENDED ELECTRODE (REPLACES 180340)	5
2B	192047		ELECTRODE (REPLACES 177875)	5
3A	177876	64006768	EXTENDED TIP	5
3B	177890		TIP	5
4	192050		SHIELD CAP	1
5	177888		DEFLECTOR	1
6	192053		SHIELD (DRAG) (REPLACES 177887)	1
N/S	177878		GOUGING NOZZLE	1

MASTERCUT™

PLASMA CUTTING TORCH

- 1 SET OF CONSUMABLE PARTS FOR ALL SYSTEMS (Except for tip)
- MAXIMUM ARC VISIBILITY
- DRAG OR STANDOFF CUTTING AT ANY POWER LEVEL
- ERGONOMIC TORCH HANDLE FOR OPERATOR COMFORT AND CONTROL
- LOW COST OF OPERATION

Convert to a Radnor® Mastercut™ torch.

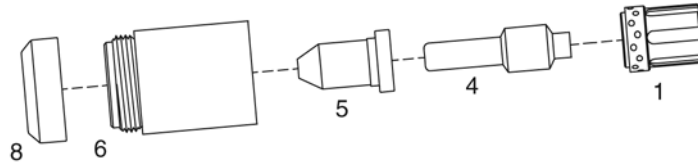
Torch 64006500 MC60 64006501 MC100	+	ATC Receptacle Adapter Kit 64006539	+	Adapter Kit Spectrum® 700, 1000, 1250, PLUS 64006543 Spectrum® 650, 701, 2050 64006554 (non-HF systems)
-------------------------------------------------	---	-----------------------------------------------	---	-------------------------------------------------------------------------------------------------------------------------

Radnor is in no way affiliated with MILLER®. The parts advertised for sale are not genuine MILLER parts, but are parts made for Radnor. Reference to MILLER machine, torches and numbers are for your convenience only. We reserve the right to substitute genuine MILLER parts in place of Radnor parts.

Replacement Parts suitable for:

MILLER®

ICE 55C®/ICE 55CM® Parts



Item	Catalog Number	Radnor Number	Description	Std. Qty.
1	192049	64006773	SWIRL RING	1
2 (not shown)	192047	64006774	ELECTRODE (REPLACES 177875)	5
3 (not shown)	192051	64006770	NOZZLE, STANDARD, 55A	5
4	192048	64006777	EXTENDED ELECTRODE (REPLACES 180340)	5
5	192052	64006771	EXTENDED TIP 35A	5
	192056	64006772	EXTENDED TIP 55A	5
6	192050	64006776	RETAINING CAP	1
8	177888	64006775	DEFLECTOR	1

MASTERCUT™

PLASMA CUTTING TORCH

- 1 SET OF CONSUMABLE PARTS FOR ALL SYSTEMS (Except for tip)
- MAXIMUM ARC VISIBILITY
- DRAG OR STANDOFF CUTTING AT ANY POWER LEVEL
- ERGONOMIC TORCH HANDLE FOR OPERATOR COMFORT AND CONTROL
- LOW COST OF OPERATION

Convert to a Radnor® Mastercut™ torch.

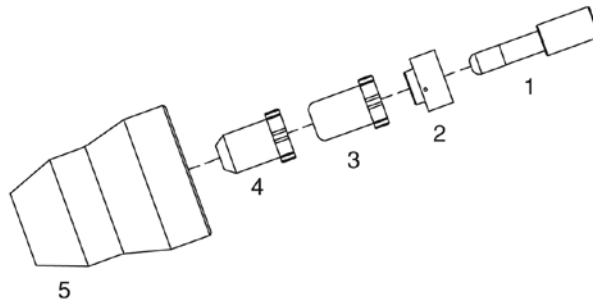
Torch 64006500 MC60 64006501 MC100	+	ATC Receptacle Adapter Kit 64006539	+	Adapter Kit Spectrum® 650, 701, 2050 (non-HF systems)	64006554
-------------------------------------------------	---	---------------------------------------------------------	---	--------------------------------------------------------------------	----------

Radnor is in no way affiliated with MILLER®. The parts advertised for sale are not genuine MILLER parts, but are parts made for Radnor. Reference to MILLER machine, torches and numbers are for your convenience only. We reserve the right to substitute genuine MILLER parts in place of Radnor parts.

Replacement Parts suitable for:

THERMAL DYNAMICS®

PCH/M-28/35 PakMaster® 50XL, PakMaster® 50, Stak Pak®



Item	Catalog Number	Radnor Number	Description	Std. Qty.
N/S	9-6006	64006784	ELECTRODE	5
N/S	9-6001	64006781	TIP - DRAG CUT AIR	5
N/S	9-6002	64006800	TIP - GOUGING	5
N/S	9-4476	64006808	TIP 20A	5
1	9-6506	64006783	ELECTRODE	5
2	9-6507	64006809	GAS DISTRIBUTOR	1
3	9-6500	64006782	TIP - STANDOFF	5
4	9-6501	64006780	TIP (DRAG)	5
5	9-6003	64006801	SHIELD CUP-STD.	1

MASTERCUT™

PLASMA CUTTING TORCH

- 1 SET OF CONSUMABLE PARTS FOR ALL SYSTEMS (Except for tip)
- MAXIMUM ARC VISIBILITY
- DRAG OR STANDOFF CUTTING AT ANY POWER LEVEL
- ERGONOMIC TORCH HANDLE FOR OPERATOR COMFORT AND CONTROL
- LOW COST OF OPERATION

Convert to a Radnor® Mastercut™ torch.

Torch 64006500 MC60	+	ATC Receptacle Adapter Kit 64006539	+	Adapter Kit PakMaster® 50XL/XLP, 75XLP, 64006550 100XL/XLP, Cutmaster® 50, 75, 80XL, 100 PakMaster® 50 w/Smart Torch (Q.D.) 7-3445
--------------------------------------	---	----------------------------------------------------------------	---	----------------------------------------------------------------------------------------------------------------------------------------------------

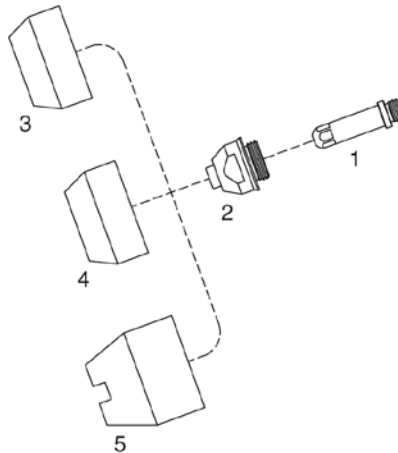
The parts advertised for sale are not genuine THERMAL DYNAMICS® parts, but are parts made for Radnor. Reference to THERMAL DYNAMICS machine, torches and numbers are for your convenience only. We reserve the right to substitute genuine THERMAL DYNAMICS parts in place of Radnor parts.

Replacement Parts suitable for:

THERMAL DYNAMICS®

PCH/M-51

4Xi, 6Xi, PAK® 3XR, PAK® 6XR, PAK® 7XR, PAK® 5XT, Signature PAK® 625XR, Signature PAK® 750XR



Item	Catalog Number	Radnor Number	Description	Std. Qty.
1	9-5633	64006786	ELECTRODE	5
N/S	9-5720	64006785	ELECTRODE	5
2	9-5718	64006806	TIP 10-40A AIR	5
	9-5631	64006787	TIP 10-60A AIR	5
3	9-5630	64006804	SHIELD CUP CERAMIC	1
4	8-2159	64006805	SHIELD CUP-PHENOLIC-STD.	1
5	8-5526	64006807	SHIELD CUP-CROWN-CERAMIC	1

MASTERCUT™

PLASMA CUTTING TORCH

- 1 SET OF CONSUMABLE PARTS FOR ALL SYSTEMS (Except for tip)
- MAXIMUM ARC VISIBILITY
- DRAG OR STANDOFF CUTTING AT ANY POWER LEVEL
- ERGONOMIC TORCH HANDLE FOR OPERATOR COMFORT AND CONTROL
- LOW COST OF OPERATION

Convert to a Radnor® Mastercut™ torch.

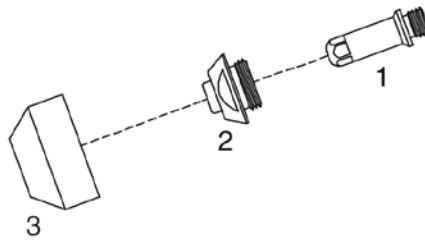
Torch 64006500 MC60 64006501 MC100	+	ATC Receptacle Adapter Kit 64006539	+	Adapter Kit Pak® 3XR, 5XT, 5XR, 6XR, 7XR, 625XR, 750XR PakMaster® 25, 38XL, EconoPak® 25, Drag-Gun® 38, PAK® 4Xi, 6Xi, 2XT, Dynapak® 110	64006549 64006548
-------------------------------------------------	---	---------------------------------------------------------	---	-------------------------------------------------------------------------------------------------------------------------------------------------------------	--------------------------

The parts advertised for sale are not genuine THERMAL DYNAMICS® parts, but are parts made for Radnor. Reference to THERMAL DYNAMICS machine, torches and numbers are for your convenience only. We reserve the right to substitute genuine THERMAL DYNAMICS parts in place of Radnor parts.

Replacement Parts suitable for:

THERMAL DYNAMICS®

PCH/M-52 PAK® 5XR*, PAK® 6XR*, PAK® 7XR, PAK® 8XR, PAK® 10XR, PAK® 625XR*, Signature PAK® 750XR*, Signature PAK® 1000XR, Signature PAK® 1250XR * Dual Gas



Item	Catalog Number	Radnor Number	Description	Std. Qty.
1	9-5619	64006802	ELECTRODE AIR (PLATED)	5
2	9-5708	64006788	TIP 105A AIR	5
3	9-5781	64006803	SHIELD CUP PHENOLIC STD.	1

MASTERCUT™ PLASMA CUTTING TORCH

- 1 SET OF CONSUMABLE PARTS FOR ALL SYSTEMS (Except for tip)
- MAXIMUM ARC VISIBILITY
- DRAG OR STANDOFF CUTTING AT ANY POWER LEVEL
- ERGONOMIC TORCH HANDLE FOR OPERATOR COMFORT AND CONTROL
- LOW COST OF OPERATION

Convert to a Radnor® Mastercut™ torch.

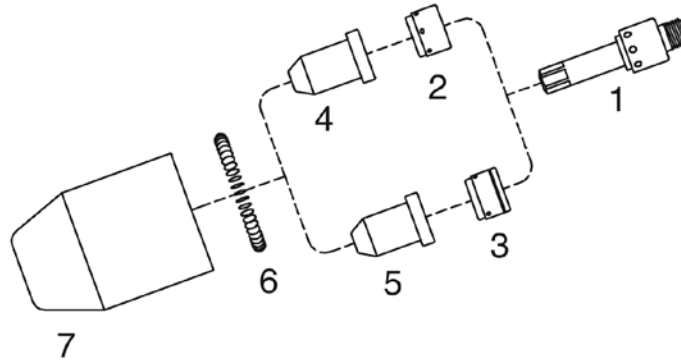
Torch 64006501 MC100	+	ATC Receptacle Adapter Kit 64006539	+	Adapter Kit Pak® 3XR, 5XT, 5XR, 6XR, 7XR, 625XR, 750XR Pak® 8XR, 10XR, 1000XR, 1250XR, PakMaster® 75, 100	64006549 64006546
---------------------------------------	---	----------------------------------------------------------------	---	------------------------------------------------------------------------------------------------------------------------------	--------------------------

The parts advertised for sale are not genuine THERMAL DYNAMICS® parts, but are parts made for Radnor. Reference to THERMAL DYNAMICS machine, torches and numbers are for your convenience only. We reserve the right to substitute genuine THERMAL DYNAMICS parts in place of Radnor parts.

Replacement Parts suitable for:

THERMAL DYNAMICS®

PCH/M-75 PakMaster® 75, PakMaster® 75XL, 625XR, Signature PAK® 625XR, CUTMASTER™ 80XL



Item	Catalog Number	Radnor Number	Description	Std. Qty.
1	8-7502	64006791	ELECTRODE	5
2	8-7501	64006790	GAS DISTRIBUTOR - CUTTING	1
3	8-7508	64006798	GAS DISTRIBUTOR - GOUGING	1
4	8-7503	64006792	TIP CUTTING 35A (DRAG)	5
	8-7504	64006793	TIP CUTTING 55A AIR/N2	5
5	8-7506	64006811	TIP - GOUGING	5
6	9-7501	64006810	COIL SPRING	1
7	8-7500	64006789	SHIELD CUP - STD.	1
N/S	8-7525	64006799	SHIELD CUP	1
N/S	8-7505	64006794	TIP 70A	5
N/S	8-7514	64006795	TIP AIR/N2 .047	5

MASTERCUT™

PLASMA CUTTING TORCH

- 1 SET OF CONSUMABLE PARTS FOR ALL SYSTEMS (Except for tip)
- MAXIMUM ARC VISIBILITY
- DRAG OR STANDOFF CUTTING AT ANY POWER LEVEL
- ERGONOMIC TORCH HANDLE FOR OPERATOR COMFORT AND CONTROL
- LOW COST OF OPERATION

Convert to a Radnor® Mastercut™ torch.

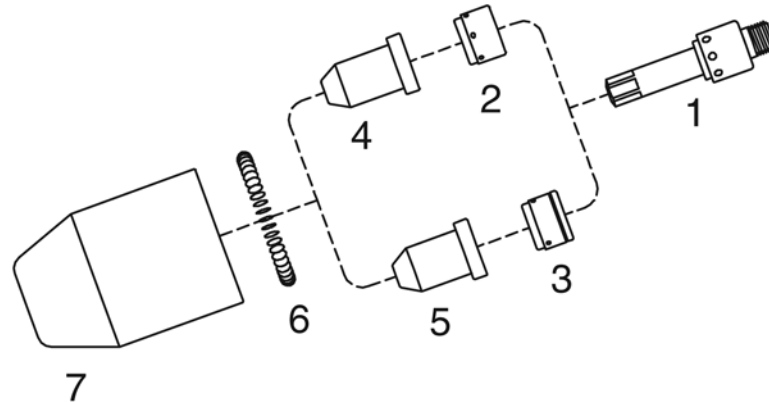
Torch	+	ATC Receptacle Adapter Kit	+	Adapter Kit	
64006500 MC60		64006539		Pak® 3XR, 5XT, 5XR, 6XR, 7XR, 625XR, 750XR	64006549
64006501 MC100				Pak® 8XR, 10XR, 1000XR, 1250XR, PakMaster® 75, 100	64006546
				PakMaster® 50XL/XLP, 75XLP, 100XL/XLP, Cutmaster® 50, 75, 80XL, 100	64006550

The parts advertised for sale are not genuine THERMAL DYNAMICS® parts, but are parts made for Radnor. Reference to THERMAL DYNAMICS machine, torches and numbers are for your convenience only. We reserve the right to substitute genuine THERMAL DYNAMICS parts in place of Radnor parts.

Replacement Parts suitable for:

THERMAL DYNAMICS®

PCH/M-80 PakMaster® 100XL PLUS



Item	Catalog Number	Radnor Number	Description	Std. Qty.
1	8-7502	64006791	ELECTRODE AIR/N2	5
2	8-7501	64006790	GAS DISTRIBUTOR - CUTTING	1
3	8-7508	64006798	GAS DISTRIBUTOR - GOUGING	1
4	8-7503	64006792	TIP CUTTING 35A (DRAG)	5
	8-7504	64006793	TIP CUTTING 55A AIR/N2	5
	9-7728	64006796	TIP CUTTING 80A AIR/N2	5
5	8-7506	64006811	TIP - GOUGING	5
6	9-7501	64006810	CANTED COIL SPRING	1
7	8-7500	64006789	SHIELD CUP - STD.	1

MASTERCUT™

PLASMA CUTTING TORCH

- 1 SET OF CONSUMABLE PARTS FOR ALL SYSTEMS (Except for tip)
- MAXIMUM ARC VISIBILITY
- DRAG OR STANDOFF CUTTING AT ANY POWER LEVEL
- ERGONOMIC TORCH HANDLE FOR OPERATOR COMFORT AND CONTROL
- LOW COST OF OPERATION

Convert to a Radnor® Mastercut™ torch.

Torch 64006501 MC100	+	ATC Receptacle Adapter Kit 64006539	+	Adapter Kit PakMaster® 50XL/XLP, 75XLP, 100XL/XLP, Cutmaster® 50, 75, 80XL, 100 64006550
---------------------------------------	---	----------------------------------------------------------------	---	----------------------------------------------------------------------------------------------------------

The parts advertised for sale are not genuine THERMAL DYNAMICS® parts, but are parts made for Radnor. Reference to THERMAL DYNAMICS machine, torches and numbers are for your convenience only. We reserve the right to substitute genuine THERMAL DYNAMICS parts in place of Radnor parts.

