

CHECK VALVES

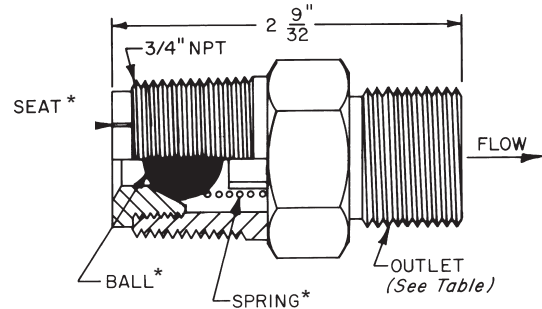
Check Valve Model	Part No.	Gas Service	Connections	
			Inlet	Outlet
CV-1	639677	Oxygen	3/4 NPT (male)	CGA-024 (7/8—14 RH male)**
CV-2	639710	Fuel Gas		CGA-025 (7/8—14 LH male)**
CV-3	639706	Oxygen		CGA-022 (9/16—18 RH male)**
CV-4	639711	Fuel Gas		CGA-023 (9/16—18 LH male)**
CV-5	639717	*		1/2-in NPT (male)
CV-6	639719	Inert Gas		CGA-034 (7/8—14RH female)**
CV-7	639720	Inert Gas		CGA-032(5/8—18RH female)**

*Any common non-corrosive, non-toxic industrial gas. (See Note 2.)

** CGA-022,-023, etc. were formerly designated "B" size R.H., "B"size L.H.,etc.

(over)

1. Operating pressure must NOT exceed 200 psig.
2. All check valves are cleaned for oxygen service before shipment. **If they are used for oxygen service, do NOT use oil or grease since they ignite easily and burn violently under pressure in the presence of oxygen.**
3. Periodically test the check valve for leakage between the ball and seat by a reverse flow procedure using Leak Test Solution suitable for oxygen service, such as P/N 998771(8 oz. container). If there is leakage, replace parts shown below or replace the entire check valve.



*Supplied with CV Repair Kit -18360.



ESAB Welding & Cutting Products
PO Box 100545, Florence SC 29501-0545

**Be sure this information reaches the operator.
You can get extra copies through your supplier.**

CHECK VALVES

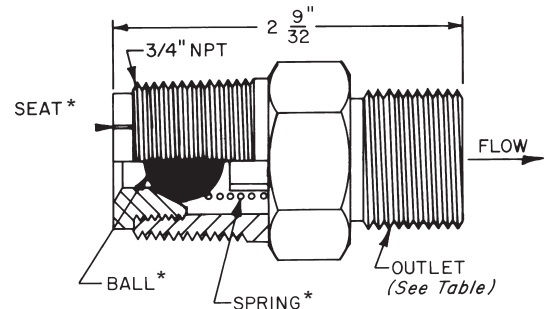
Check Valve Model	Part No.	Gas Service	Connections	
			Inlet	Outlet
CV-1	639677	Oxygen	3/4 NPT (male)	CGA-024 (7/8—14 RH male)**
CV-2	639710	Fuel Gas		CGA-025 (7/8—14 LH male)**
CV-3	639706	Oxygen		CGA-022 (9/16—18 RH male)**
CV-4	639711	Fuel Gas		CGA-023 (9/16—18 LH male)**
CV-5	639717	*		1/2-in NPT (male)
CV-6	639719	Inert Gas		CGA-034 (7/8—14RH female)**
CV-7	639720	Inert Gas		CGA-032(5/8—18RH female)**

*Any common non-corrosive, non-toxic industrial gas. (See Note 2.)

** CGA-022,-023, etc. were formerly designated "B" size R.H., "B"size L.H.,etc.

(over)

1. Operating pressure must NOT exceed 200 psig.
2. All check valves are cleaned for oxygen service before shipment. **If they are used for oxygen service, do NOT use oil or grease since they ignite easily and burn violently under pressure in the presence of oxygen.**
3. Periodically test the check valve for leakage between the ball and seat by a reverse flow procedure using Leak Test Solution suitable for oxygen service, such as P/N 998771(8 oz. container). If there is leakage, replace parts shown below or replace the entire check valve.



*Supplied with CV Repair Kit -18360.



ESAB Welding & Cutting Products
PO Box 100545, Florence SC 29501-0545

**Be sure this information reaches the operator.
You can get extra copies through your supplier.**