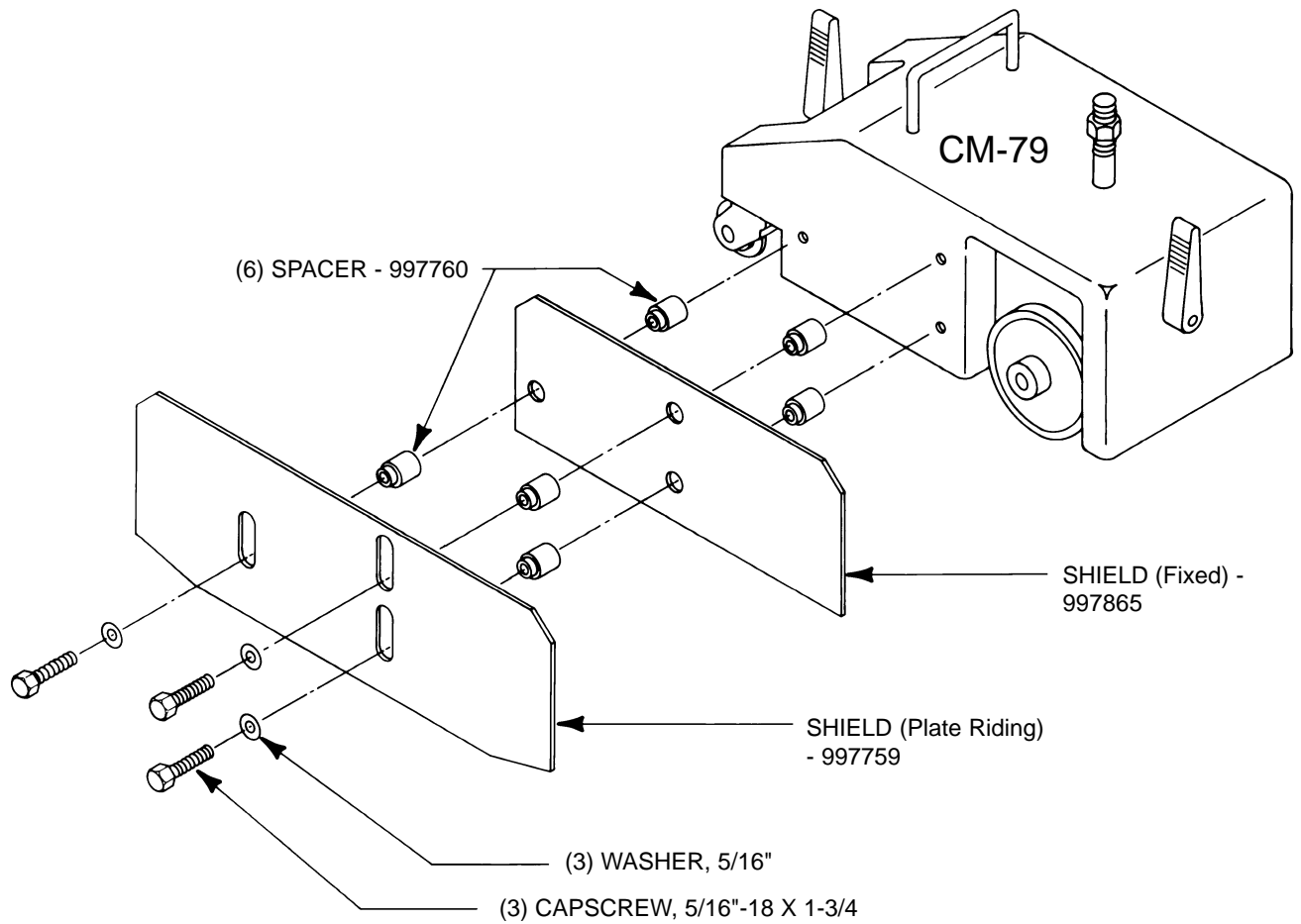


DOUBLE HEAT SHIELD KIT
Part No. 995586



F-12-727

